

PRODUCT INFORMATION**PT167-ULS**

PT167-ULS
High tenacity and ultra low shrinkage polyester yarn
167 TEX
Binder yarn
Used mainly for OPTICAL FIBER CABLES
Product Code: 016703141171



The **PT167-ULS** product is a high tenacity polyester yarn, flat and regular shaped, with constant width and thickness.

This binder yarn also offers an exceptionally ultra low shrinkage value against high temperature.

PT167-ULS can be delivered under DUAL form: 2 independent yarns wound in the same tube, doubling your server capacity.

BENEFITS & FEATURES

In product...

- Flat fiber, with regular and continuous width and thickness, prevents damage on surface of loose tubes during binding process.
- Smooth and soft, doesn't create any interference in cable surface
- First quality raw material
- No dust during manipulation

In performance...

- Ultra low shrinkage compared with other binders
- Non conductive material
- Variable level of flexibility, with good adaptation to cable shape

In packing...

- Pressed and precision wound, guarantees high-speed serving during cable binding
- Available with slit tubes for easy removal from shafts
- Tailored spools: by exact meters or diameter
- Yarn queue is identified with a green label for easy processing
- Plastic bag for each package, keeps the yarn in perfect shape for usage, even is stocked for a long periods
- Textured cardboard surface to prevent yarn' slipping through the tube.
- Automatic label generation, allows to trace the whole process
- Each batch is delivered with Quality Certificate of properties.

PRODUCT INFORMATION

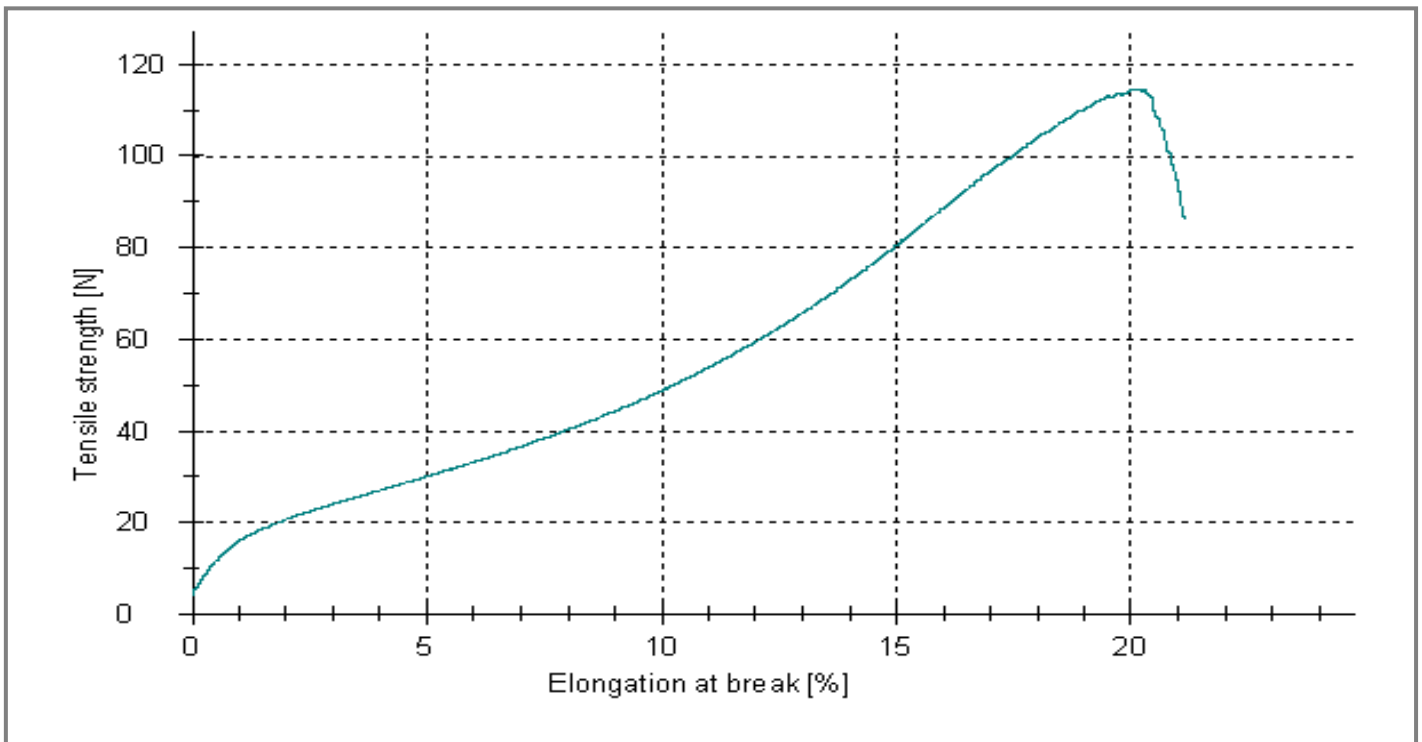
PT167-ULS

Technical Data

Product Property	Unit	Nominal Value
Linear density	TEX	167,00
Elongation at break	%	20,00
Tensile strength	N	100,00
Young Modulus	Gpa	7,29
LASE 0,50% ⁽²⁾	Newton	11,65
LASE 1,00% ⁽²⁾	Newton	16,00
Weight	Gram/meter	0,167
Runnage	meters/Kilogram	5.988,02
Shrinkage (15min - 150°C)	%	0,25
Shrinkage (15min - 190°C)	%	0,50

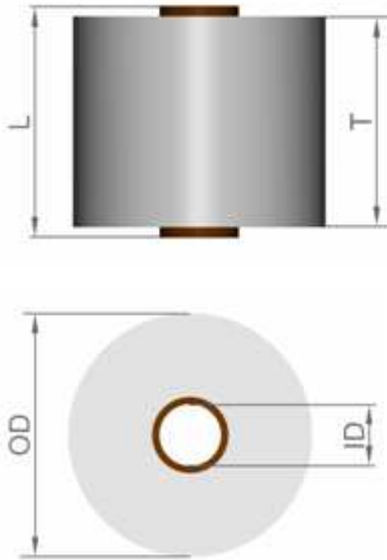
1 Test-speed: 100mm/min 2 Pre-tension: 0,02 N/Tex 3 Deionized, 20°C

TENSILE STRENGTH GRAPH



The graph is only displaying estimated values. Please do not use it for identifying the product properties. For accurate values we refer to the numerical data

Packing Details



Tube reference	Inner Diameter	Length	Traverse	Outer diameter (max)	Surface
T76x275	76 mm	275 mm	250 mm	300 mm	Rough
T94x215	94 mm	215 mm	195 mm	300 mm	Rough
T94x290	94 mm	290 mm	250 mm	300 mm	Rough
T107x215	107 mm	215 mm	195 mm	300 mm	Rough
T127x215 ** slitted **	127 mm	215 mm	195 mm	300 mm	Rough and sliced

This product can be delivered under **DUAL** form: 2 independent yarns wound in the same tube. Other tubes could be shipped under request.

D I S C L A I M E R

Data and values shown in this file are according our tests in laboratory. Although comes from our experience and knowledge, can not be used as a warranty of any kind because too many factors are involved in results, so we can not get any responsibility from here.

Accepting product described here, end-user agrees to make by himself necessary tests to be sure that product is suitable for desired application.

In the same way, **GOTEX S.A.** keeps the right to make changes in this data sheet without previous notice.

Date appeared in this document cancels old editions.

More information and updated weekly news available at:

www.gotexweb.com