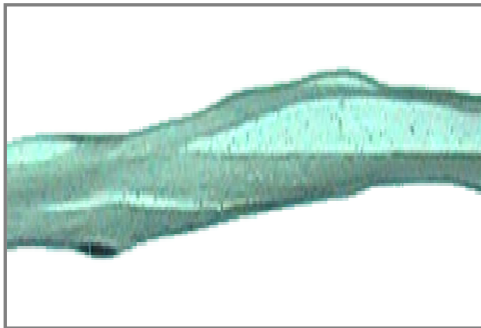


PTW110-LS
High tenacity and low shrinkage polyester yarn coated with waterblocking
130 TEX
Swellable yarn
Used mainly for OPTICAL FIBER CABLES
Product Code: 011003141160



The **PTW110-LS** product is a very low shrinkage polyester yarn, with high tenacity. This fiber is being coated with a super absorbent polymer which reacts in front water.

Suddenly, the polymer becomes jelly and acts as a stopper of water-flow that may be goes inside the cable, avoiding the potential damage it may cause.

PTW110-LS can be delivered under DUAL form: 2 independent yarns wound in the same tube, doubling your server capacity.

BENEFITS & FEATURES

In product...

- Flat fiber, with regular and continuous width and thickness
- Smooth and soft coating, doesn't create any interference in cable surface
- First quality raw material
- No dust during manipulation, even being a water blocking fiber

In performance...

- High swelling power and fast reaction against water
- Very low shrinkage against temperature
- Non conductive material
- Variable level of flexibility, with good adaptation to cable shape

In packing...

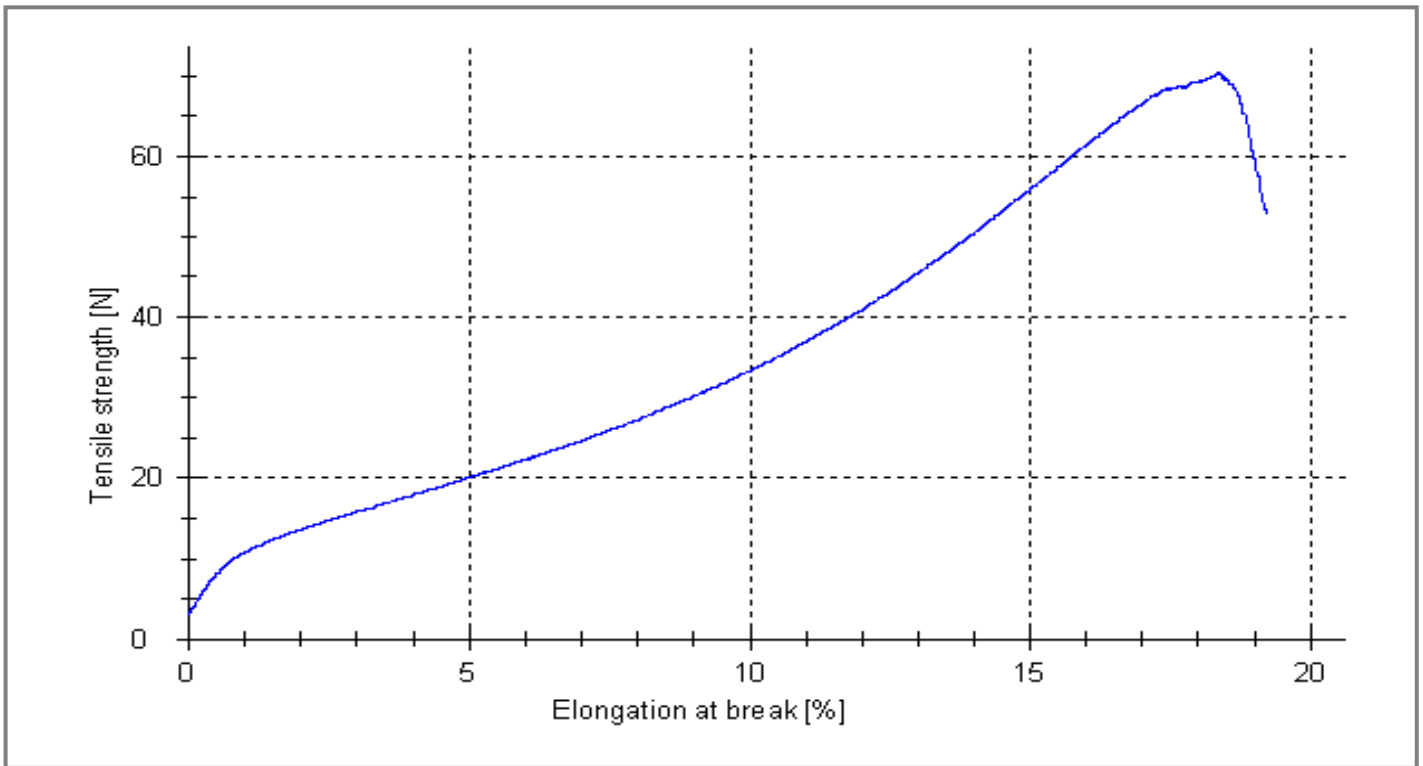
- Pressed and precision wound, guarantees high-speed serving during cable jacketing
- Tailored spools: by exact meters or diameter
- Yarn queue is identified with a green label for easy processing
- Plastic bag for each package, keeps the yarn in perfect shape for usage, even is stocked for a long periods
- Textured cardboard surface to prevent yarn' slipping through the tube.
- Automatic label generation, allows to trace the whole process
- Each batch is delivered with Quality Certificate of properties.

Technical Data

Product Property		Unit	Value
Linear density		TEX	130,00
Tensile strength		N	70,00
Elongation at break		%	18,00
Young Modulus		Gpa	8,62
LASE 0,50% ⁽²⁾		Newton	9,00
LASE 1,00% ⁽²⁾		Newton	13,00
Weight		Gram/meter	0,13
Runnage		meters/Kilogram	7.692,31
Shrinkage (190°C-15min)		%	1,50
Weight increase immersed in water ⁽³⁾	180"	g/m	1,70

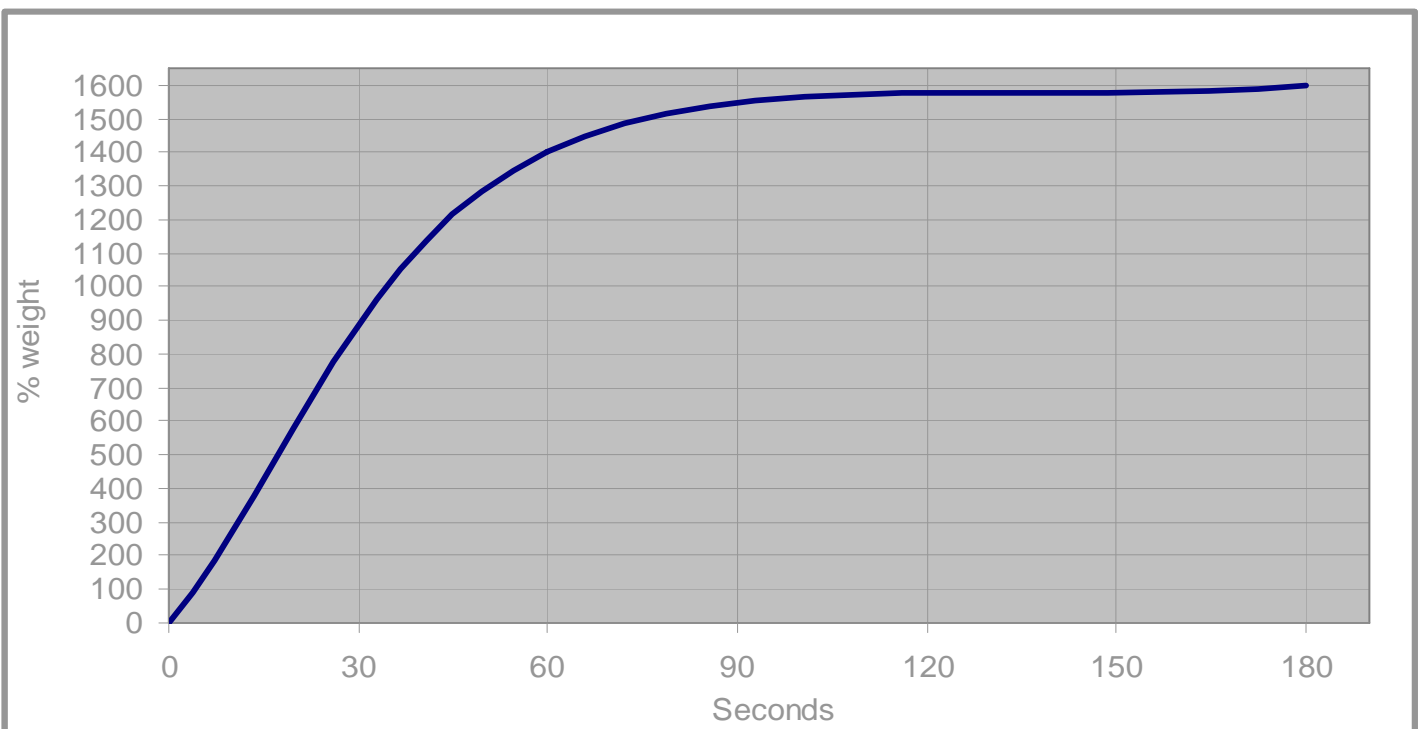
1  Test-speed: 100mm/min 2  Pre-tension: 0,02 N/TEX 3  Deionized, 20°C

TENSILE STRENGTH GRAPH

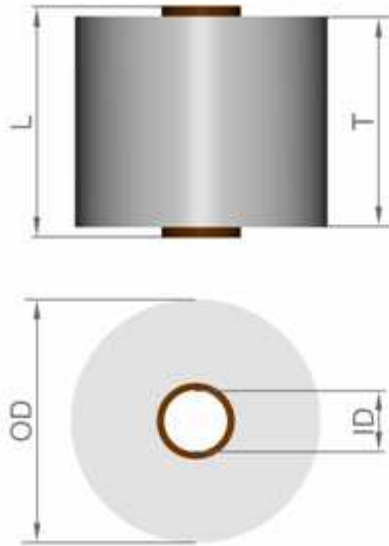


The graph is only displaying estimated values. Please do not use it for identifying the product properties. For accurate values we refer to the numerical data.

ΔWEIGHT VS. TIME (IMMERSED IN WATER)



Packing Details



Tube reference	Inner Diameter	Length	Traverse	Outer diameter (max)	Surface
T76x275	76 mm	275 mm	250 mm	300 mm	Rough
T94x215	94 mm	215 mm	195 mm	300 mm	Rough
T94x290	94 mm	290 mm	250 mm	300 mm	Rough
T107x215	107 mm	215 mm	195 mm	300 mm	Rough
T127x215	127 mm	215 mm	195 mm	300 mm	Rough and sliced

This product can be delivered under **DUAL** form: 2 independent yarns wound in the same tube.

D I S C L A I M E R

Data and values shown in this file are according our tests in laboratory. Although comes from our experience and knowledge, can not be used as a warranty of any kind because too many factors are involved in results, so we can not get any responsibility from here.

Accepting product described here, end-user agrees to make by himself necessary tests to be sure that product is suitable for desired application.

In the same way, **GOTEX S.A.** keeps the right to make changes in this data sheet without previous notice.

Date appeared in this document cancels old editions.

More information and updated weekly news available at:

www.gotexweb.com