

PTW110-ULS

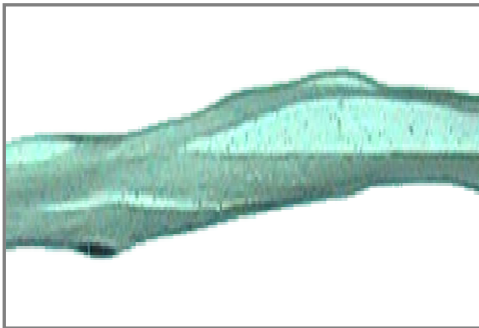
High tenacity and ultra low shrinkage polyester yarn coated with waterblocking

130 TEX

Swellable yarn

Used mainly for OPTICAL FIBER CABLES

Product Code: 011003141170



The **PTW110-ULS** product is a ultra low shrinkage polyester yarn, with high tenacity. This fiber is being coated with a super absorbent polymer which reacts in front water.

Suddenly, the polymer becomes jelly and acts as a stopper of water-flow that may be goes inside the cable, avoiding the potential damage it may cause.

PTW110-ULS can be delivered under DUAL form: 2 independent yarns wound in the same tube, doubling your server capacity.

BENEFITS & FEATURES

In product...

- Flat fiber, with regular and continuous width and thickness
- Smooth and soft coating, doesn't create any interference in cable surface
- First quality raw material
- No dust during manipulation, even being a water blocking fiber

In performance...

- High swelling power and fast reaction against water
- Ultra low shrinkage against temperature
- Non conductive material
- Variable level of flexibility, with good adaptation to cable shape

In packing...

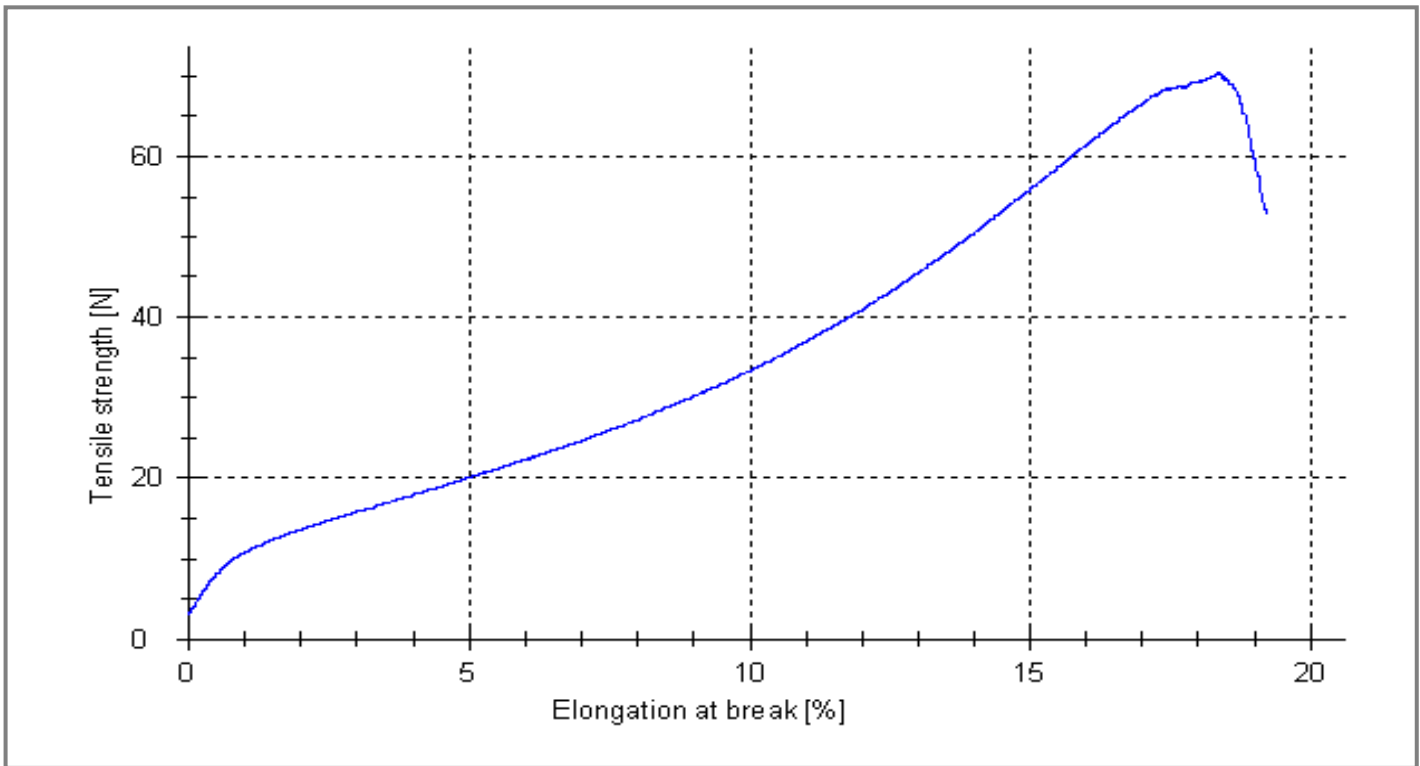
- Pressed and precision wound, guarantees high-speed serving during cable jacketing
- Tailored spools: by exact meters or diameter
- Yarn queue is identified with a green label for easy processing
- Plastic bag for each package, keeps the yarn in perfect shape for usage, even is stocked for a long periods
- Textured cardboard surface to prevent yarn' slipping through the tube.
- Automatic label generation, allows to trace the whole process
- Each batch is delivered with Quality Certificate of properties.

Technical Data

| Product Property | | Unit | Value |
|--|------|-----------------|----------|
| Linear density | | TEX | 130,00 |
| Tensile strength | | N | 75,00 |
| Elongation at break | | % | 18,00 |
| Young Modulus | | Gpa | 8,62 |
| LASE 0,50% ⁽²⁾ | | Newton | 9,00 |
| LASE 1,00% ⁽²⁾ | | Newton | 13,00 |
| Weight | | Gram/meter | 0,13 |
| Runnage | | meters/Kilogram | 7.692,31 |
| Shrinkage (190°C-15min) | | % | 0,50 |
| Weight increase immersed in water ⁽³⁾ | 180" | g/m | 1,70 |

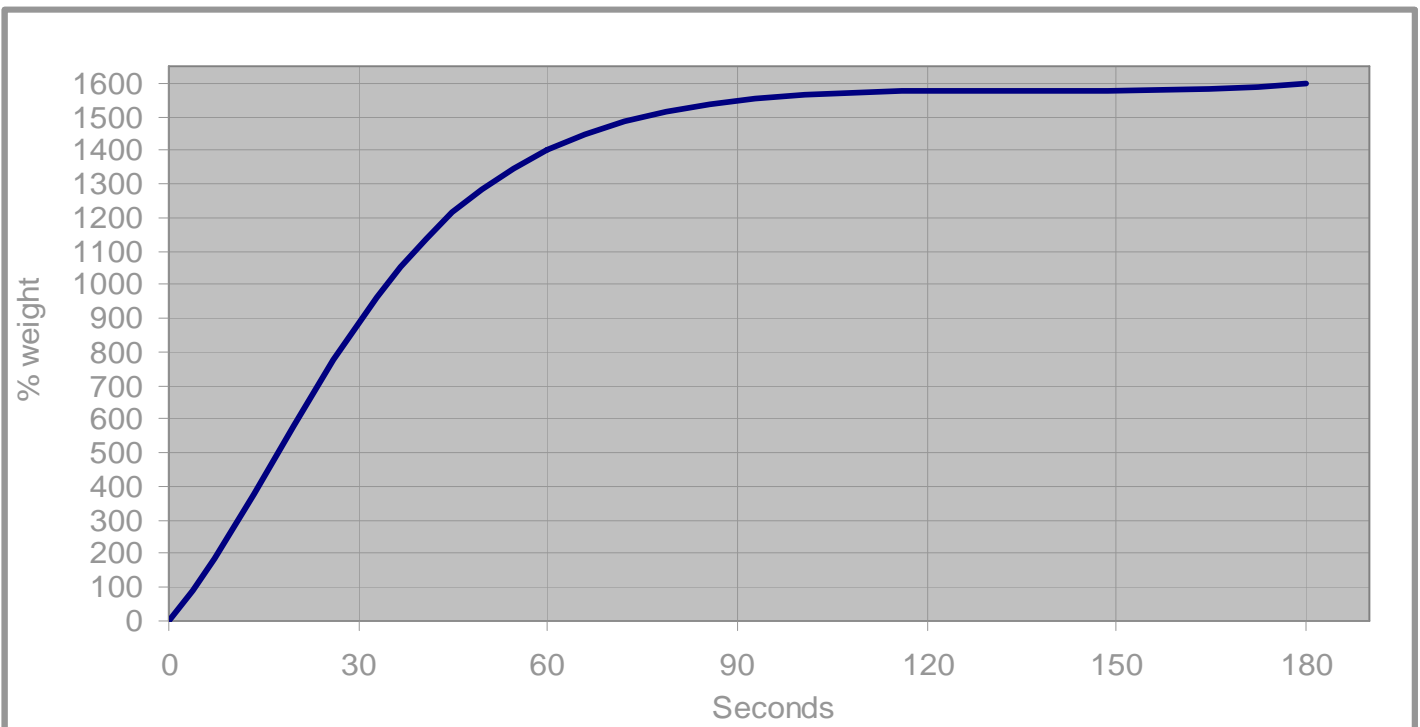
1  Test-speed: 100mm/min 2  Pre-tension: 0,02 N/TEX 3  Deionized, 20°C

TENSILE STRENGTH GRAPH

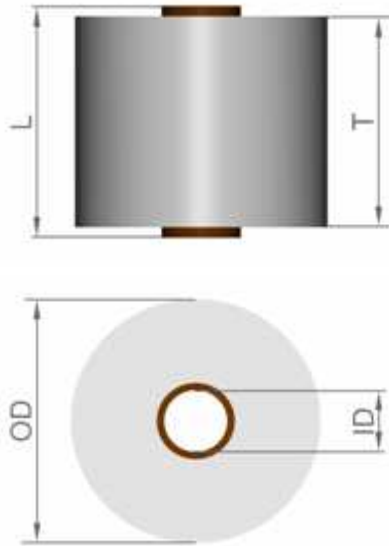


The graph is only displaying estimated values. Please do not use it for identifying the product properties. For accurate values we refer to the numerical data.

ΔWEIGHT VS. TIME (IMMERSED IN WATER)



Packing Details



| Tube reference | Inner Diameter | Length | Traverse | Outer diameter (max) | Surface |
|----------------|----------------|--------|----------|----------------------|------------------|
| T76x275 | 76 mm | 275 mm | 250 mm | 300 mm | Rough |
| T94x215 | 94 mm | 215 mm | 195 mm | 300 mm | Rough |
| T94x290 | 94 mm | 290 mm | 250 mm | 300 mm | Rough |
| T107x215 | 107 mm | 215 mm | 195 mm | 300 mm | Rough |
| T127x215 | 127 mm | 215 mm | 195 mm | 300 mm | Rough and sliced |

This product can be delivered under **DUAL** form: 2 independent yarns wound in the same tube.

D I S C L A I M E R

Data and values shown in this file are according our tests in laboratory. Although comes from our experience and knowledge, can not be used as a warranty of any kind because too many factors are involved in results, so we can not get any responsibility from here.

Accepting product described here, end-user agrees to make by himself necessary tests to be sure that product is suitable for desired application.

In the same way, **GOTEX S.A.** keeps the right to make changes in this data sheet without previous notice.

Date appeared in this document cancels old editions.

More information and updated weekly news available at:

www.gotexweb.com